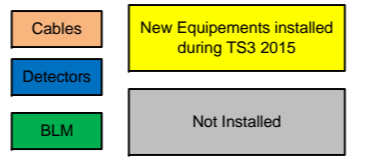
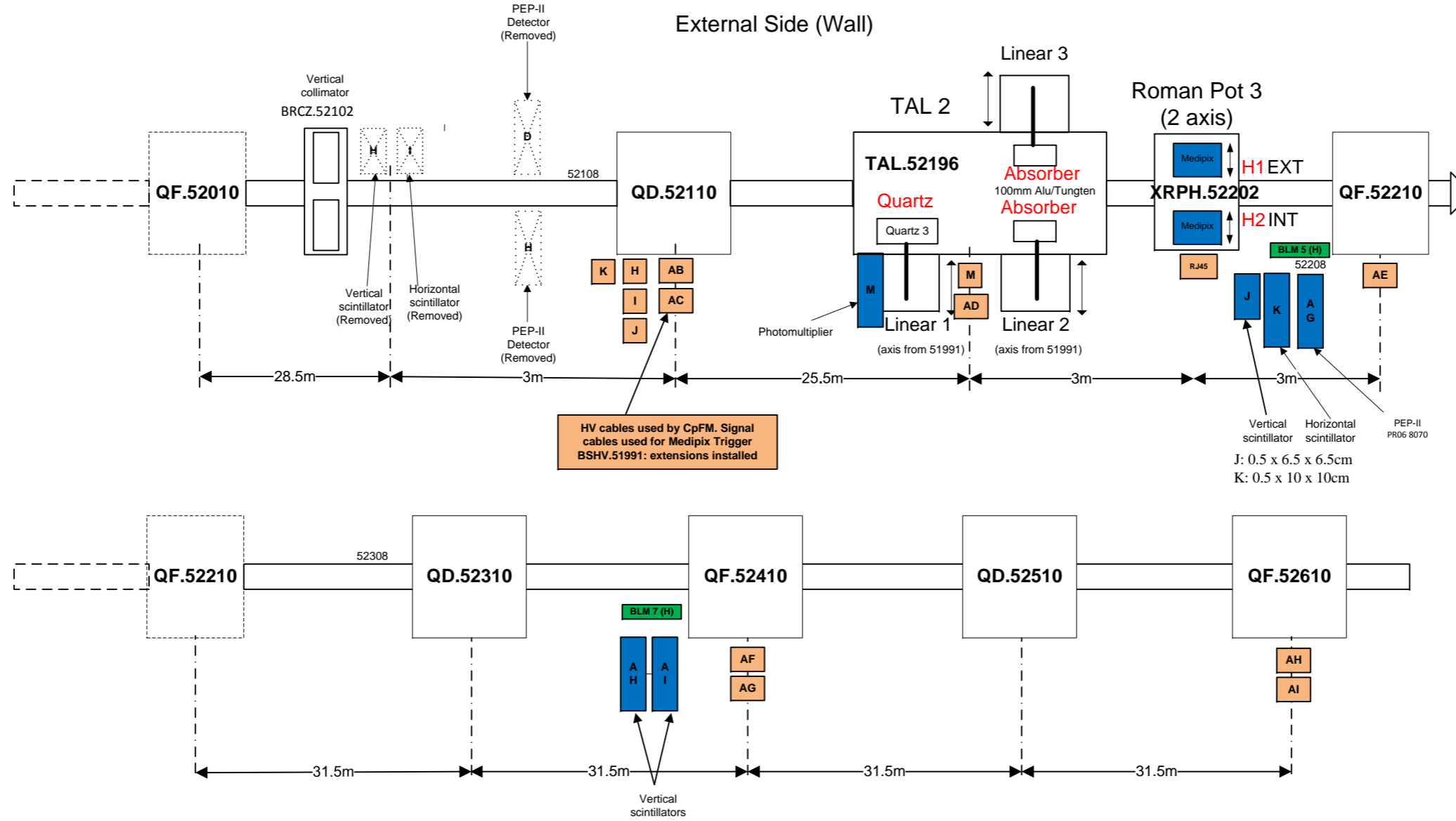


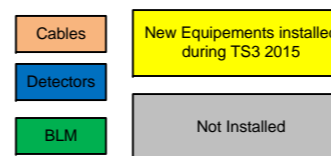
Drawing Not to Scale



UA9 Experiment		20	NOMNAME	DATE
		APPRO.		
General Layout of Equipments SPS LSS5		CONTROL		
		DES/DRA.	J.Lendaro	29/07/2015
		MODIF/DRA.		
		REPLACE/REPLACES		
				IND.



Drawing Not to Scale



UA9 Experiment		ECHELLE SCALE	20	NOM/NAME	DATE
General Layout of Equipments SPS LSS5		APPRO.			
		CONTROL			
		DES/DRA.	J.Lendaro	29/07/2015	
		MODIF/DRA.			
		REPLACE/REPLACES			
					IND.