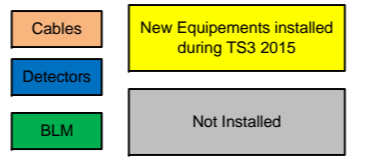
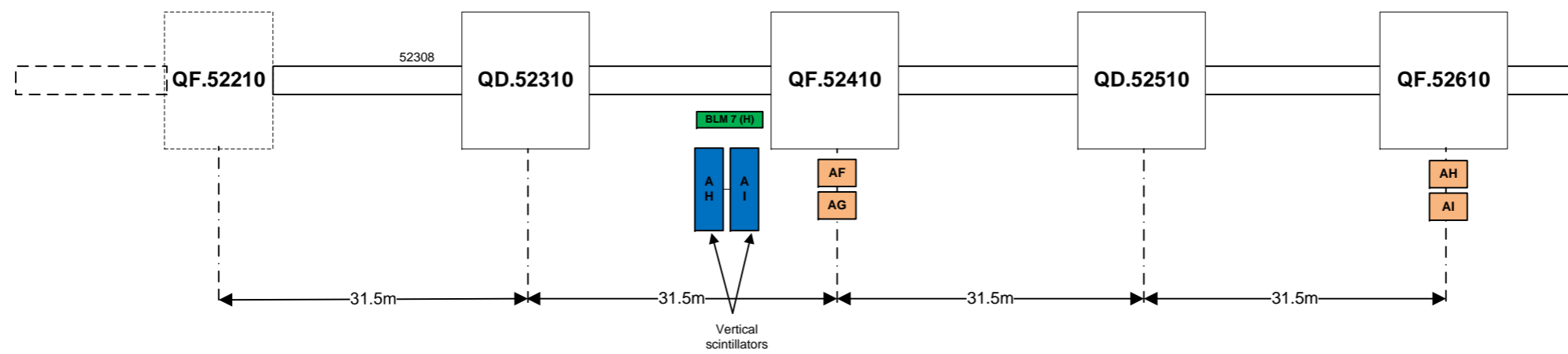
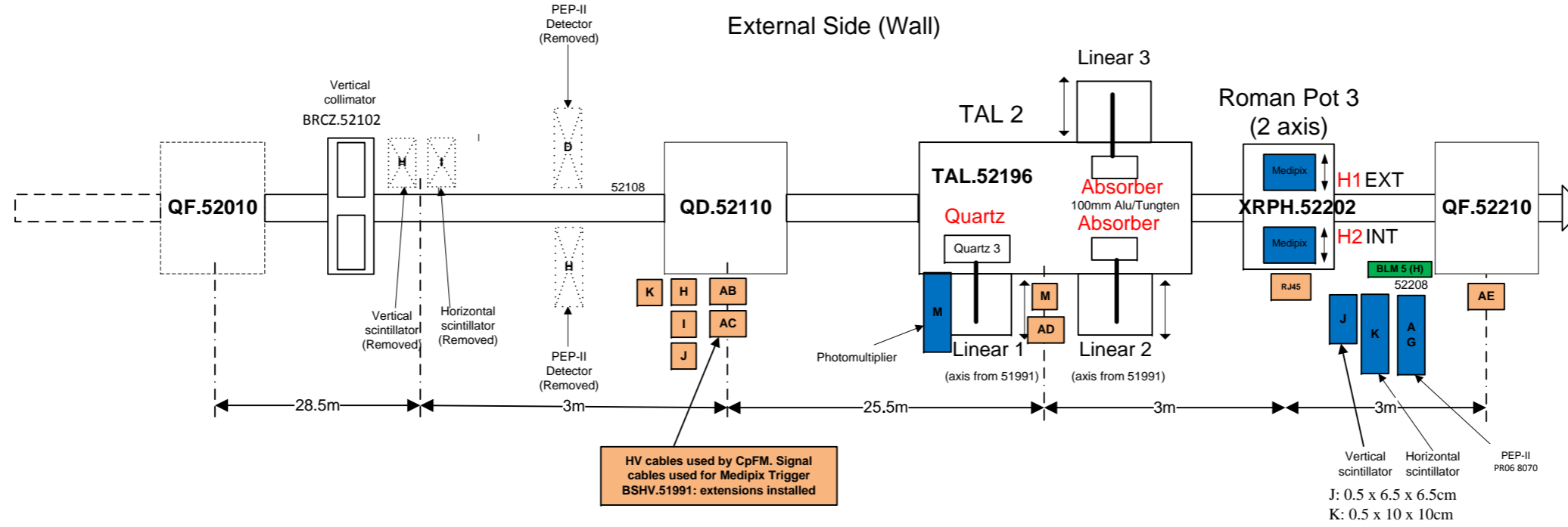


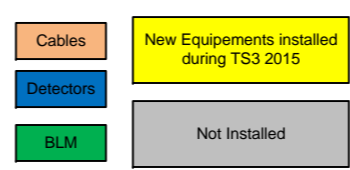
Drawing Not to Scale



UA9 Experiment		21	NOMNAME	DATE
		APPRO.		
General Layout of Equipments SPS LSS5		CONTROL		
		DES/DRA.	J.Lendaro	8/12/2015
REPLACE/REPLACES				
IND.				



Drawing Not to Scale



UA9 Experiment		ECHELLE SCALE	21	NOM/NAME	DATE	
General Layout of Equipments SPS LSS5		APPRO.				
		CONTROL				
		DES/DRA.	J.Lendaro	8/12/2015		
		MODIF/DRA.				
		REPLACE/REPLACES				
				IND.		