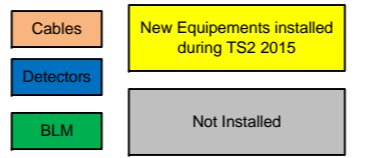
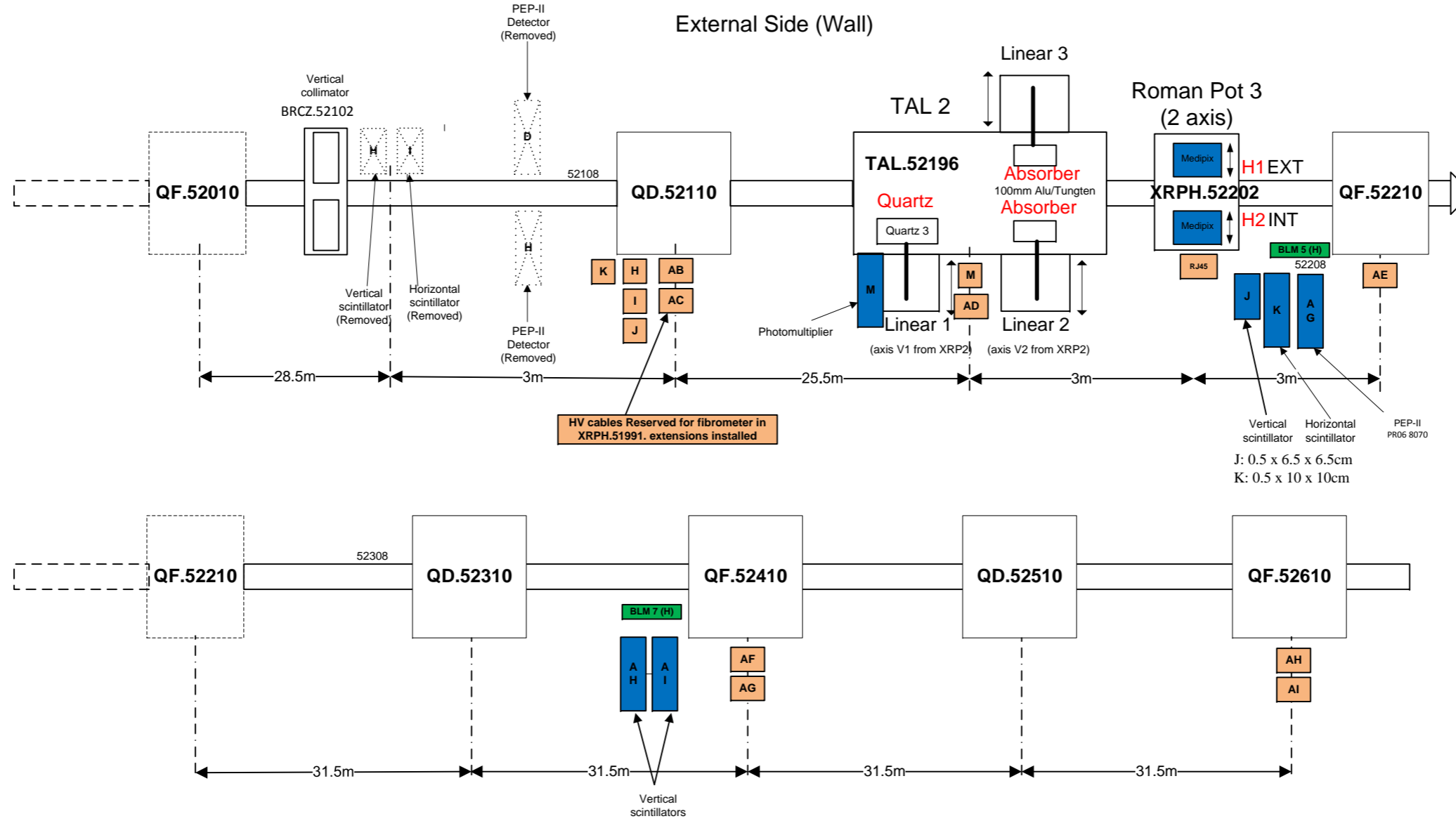


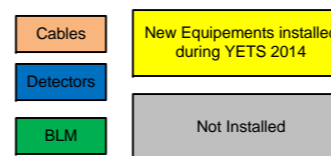
Drawing Not to Scale



UA9 Experiment		EGHELLE SCALE	19	NOMNAME	DATE
		APPRO.			
General Layout of Equipments SPS LSS5		CONTROL			
		DES/DRA.	J.Lendaro	17/06/2015	
		MODIF/DRA.			
		REPLACE/REPLACES			
				IND.	



Drawing Not to Scale



UA9 Experiment		ECHELLE SCALE	19	NOM/NAME	DATE
General Layout of Equipments SPS LSS5		APPRO.			
		CONTROL			
		DES/DRA.	J.Lendaro	17/06/2015	
		MODIF/DRA.			
REPLACE/REPLACES					
					IND.