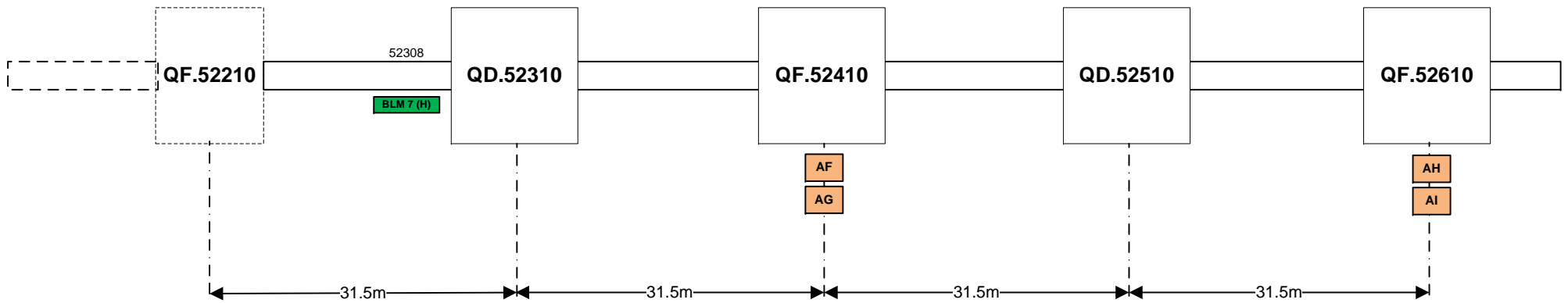
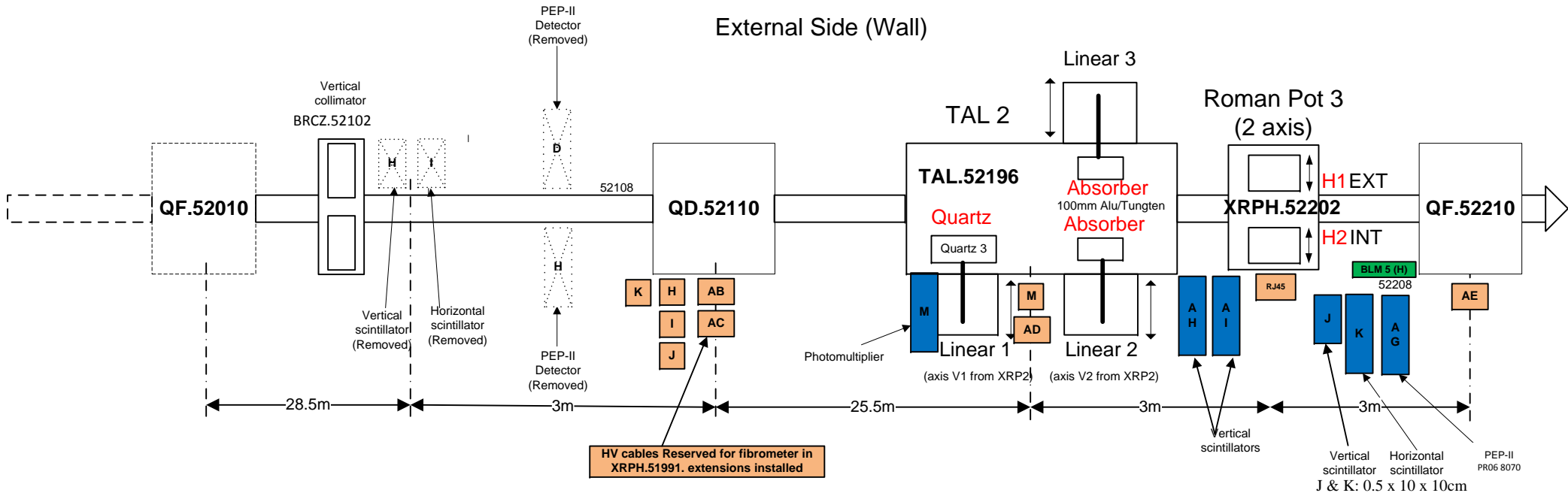


External Side (Wall)



Drawing Not to Scale

Cables	New Equipments to be installed during TS1
Detectors	
BLM	Not Installed

UA9 Experiment		ECHELLE SCALE	15	NOM/NAME	DATE
General Layout of Equipments SPS LSS5		APPRO.			
		CONTROL			
		DES/DRA.	J.Lendaro	3/05/2012	
		MODIF/DRA.			
		REPLACE/REPLACES			
		IND.			